

SOLAR WATER HEATING
CERTIFICATION AND RATING



SRCC OG-300

CERTIFIED SOLAR WATER HEATING SYSTEM

SUPPLIER: **Alternate Energy Technologies**
 1057 N. Ellis Road
 Jacksonville, FL 32254 USA
 (904) 781-8305
 (904) 781-1911 Fax
 (800) 874-2190

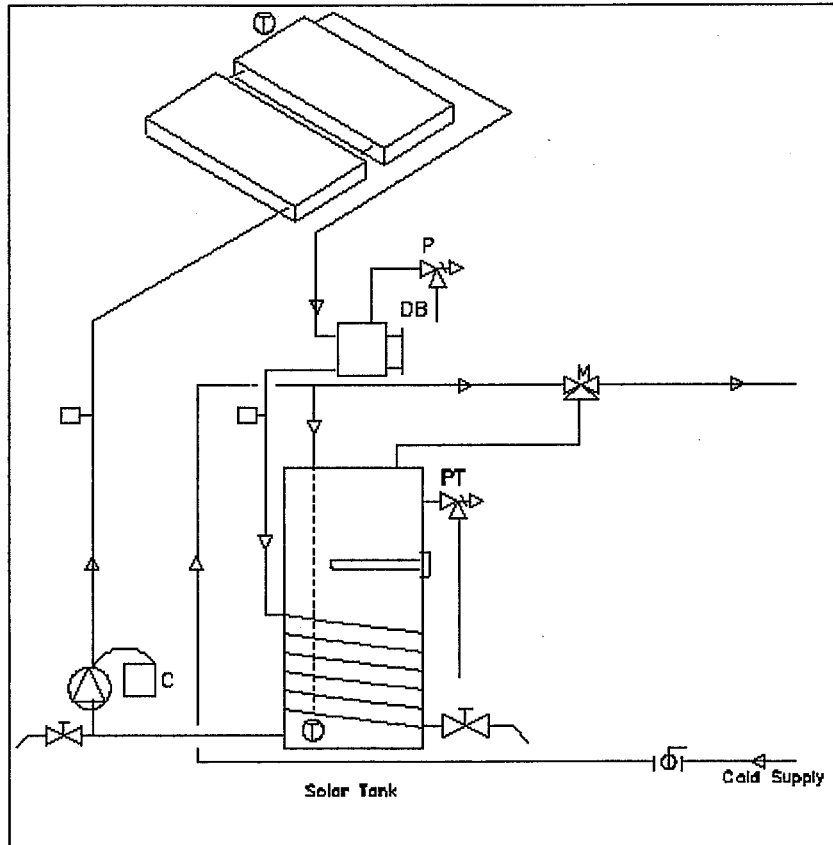
SYSTEM NAME: EagleSun

SYSTEM TYPE: Indirect Forced Circulation

LOCATION:

Description: Glazed Flat-Plate, Differential Controller, Tank Wrap Around Heat Exchanger with a Double Wall and Positive Leak Detection, No Load Side Heat Exchanger, Freeze Tolerance: -60 F, Fluid Class I, Electric Auxiliary Tank

System Model_name	Cert 300#	Cert Date	Collector Panel Manufacturer	Collector Panel Name	Total Panel area(Sq-m)	Total Panel area(Sq-ft)	Solar Tank Vol(l)	Solar Tank Vol(g)	Aux Tank Vol(l)	Aux Tank Vol(g)	SEF
DB-80-64	2006006C	22-AUG-06	Alternate Energy Technologies	AE-32	5.9	63.8	303	80			2.5
DB-80-64	2006006C	22-AUG-06	Alternate Energy Technologies	MSC-32	6.1	65.3	303	80			2.5
DB-80-80	2006006D	22-AUG-06	Alternate Energy Technologies	AE-40	7.4	79.6	303	80			3.7
DB-80-80	2006006D	22-AUG-06	Alternate Energy Technologies	MSC-40	7.8	84.3	303	80			3.7
DB-120-64	2006006E	22-AUG-06	Alternate Energy Technologies	AE-32	5.9	63.8	454	120			2.1
DB-120-64	2006006E	22-AUG-06	Alternate Energy Technologies	MSC-32	6.1	65.3	454	120			2.1
DB-120-80	2006006F	22-AUG-06	Alternate Energy Technologies	AE-40	7.4	79.6	454	120			2.7
DB-120-80	2006006F	22-AUG-06	Alternate Energy Technologies	MSC-40	7.8	84.3	454	120			2.7
DB-80-42	2006006H	06-MAY-10	Alternate Energy Technologies	AE-21	3.9	41.6	303	80			1.7
DB-80-42	2006006H	06-MAY-10	Alternate Energy Technologies	MSC-21	4	43	303	80			1.7
DB-80-48	2006006I	06-MAY-10	Alternate Energy Technologies	AE-24	4.4	47.6	303	80			1.7
DB-80-48	2006006I	06-MAY-10	Alternate Energy Technologies	MSC-24	4.6	49	303	80			1.7



OG-300 System Reference:2006006C SVG Diagram Display