

SOLAR WATER HEATING
SYSTEMS CERTIFICATION AND
RATING



SRCC OG-300

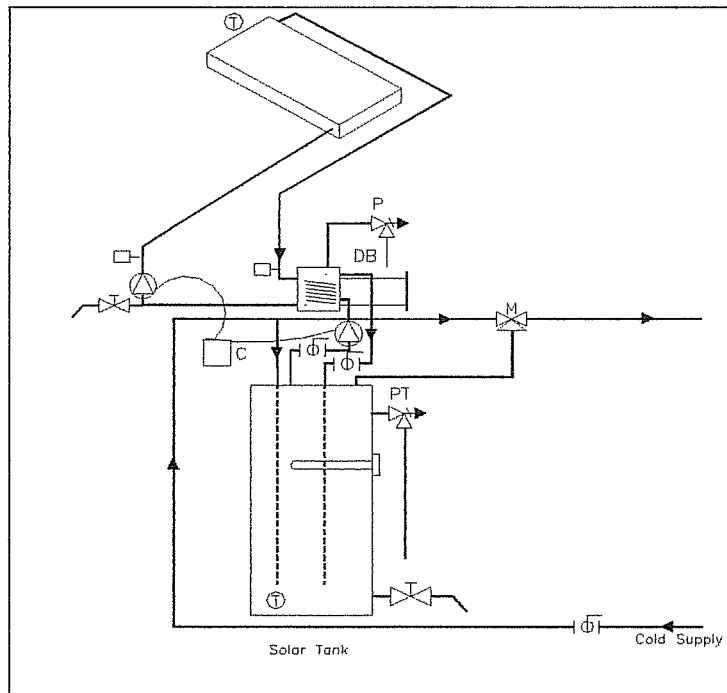
CERTIFIED SOLAR WATER HEATING SYSTEM

SUPPLIER: Alternate Energy Technologies
1057 N. Ellis Road
Jacksonville, FL 32254
(904) 781-8305
(904) 781-1911 Fax
(800) 874-2190

SYSTEM NAME: EagleSun DX
SYSTEM TYPE: Indirect Forced Circulation

Description: Glazed Flat-Plate Collector, Differential Controller, Immersed Coil Heat Exchanger with a Single Wall, No Load Side Heat Exchanger, Fluid Class I, Freeze Tolerance: -28.8 C (-20 F), Electric Auxiliary Tank

System Model Name	Cert 300#	Cert Date	Collector Panel Manufacturer	Collector Panel Name	Total Panel Area (Sq-m)	Total Panel Area (Sq-ft)	Solar Tank Vol (l)	Solar Tank Vol (gal)	Aux Tank Vol (l)	Aux Tank Vol (gal)	SEF
DX-80-40	2006007A	8/22/2006	Alternate Energy Technologies	AE-40	3.7	39.8	303	80			1.9
DX-80-40	2006007A	8/22/2006	Alternate Energy Technologies	MSC-40	3.9	42.1	303	80			1.9



OG300 System Reference: 2006007A

May 2009

Certification must be renewed annually. For current status contact:
SOLAR RATING & CERTIFICATION CORPORATION

www.solar-rating.org ♦ 1679 Clearlake Road ♦ Cocoa, FL 32922 ♦ (321) 638-1537 ♦ Fax (321) 638-1010