

SOLAR WATER HEATING  
CERTIFICATION AND RATING



SRCC OG-300

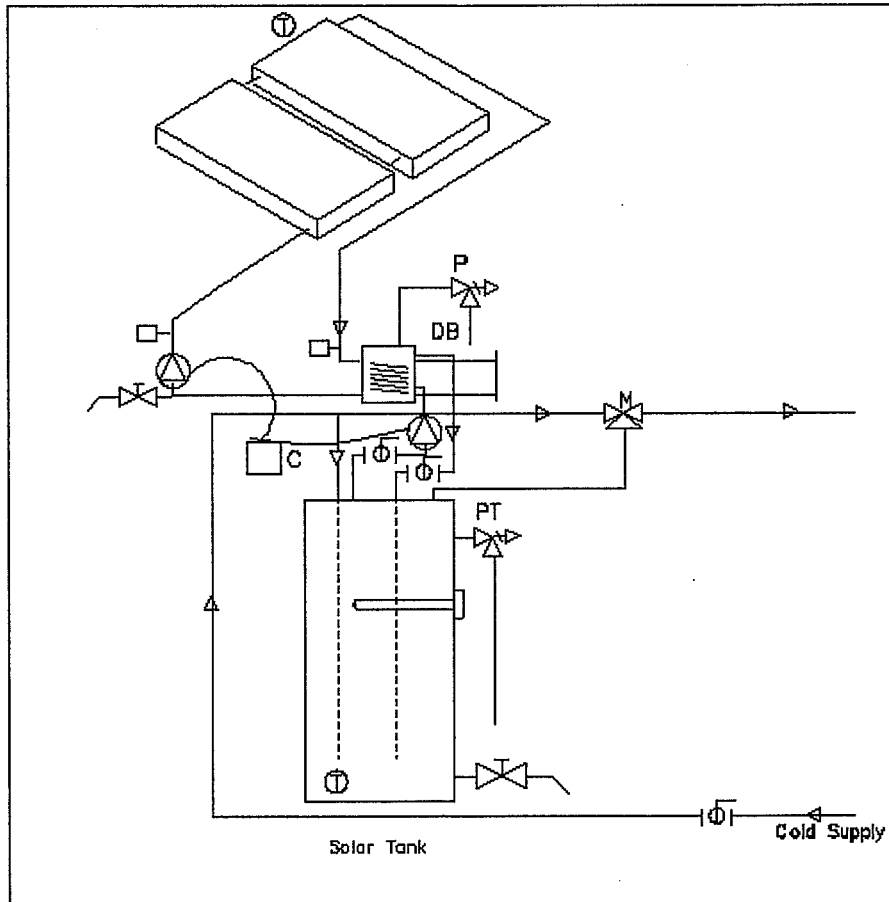
CERTIFIED SOLAR WATER HEATING SYSTEM

SUPPLIER: **Alternate Energy Technologies**  
 1057 N. Ellis Road  
 Jacksonville, FL 32254 USA  
 (904) 781-8305  
 (904) 781-1911 Fax  
 (800) 874-2190

SYSTEM NAME: EagleSun DX  
 SYSTEM TYPE: Indirect Forced Circulation  
 LOCATION:

Description: Glazed Flat-Plate, Differential Controller, Shell and Tube Heat Exchanger Not found, No Load Side Heat Exchanger ,  
 Freeze Tolerance: -60 F, Fluid Class I, Electric Auxiliary Tank

System Model_name	Cert 300#	Cert Date	Collector Panel Manufacturer	Collector Panel Name	Total Panel area(Sq-m)	Total Panel area(Sq-ft)	Solar Tank Vol(l)	Solar Tank Vol(g)	Aux Tank Vol(l)	Aux Tank Vol(g)	SEF
DX-80-52	2006007B	22-AUG-06	Alternate Energy Technologies	AE-26	4.7	50.7	303	80			2.3
DX-80-52	2006007B	22-AUG-06	Alternate Energy Technologies	MSC-26	4.8	52	303	80			2.3
DX-80-64	2006007C	22-AUG-06	Alternate Energy Technologies	AE-32	5.9	63.8	303	80			3.6
DX-80-64	2006007C	22-AUG-06	Alternate Energy Technologies	MSC-32	6.1	65.3	303	80			3.6
DX-80-80	2006007D	22-AUG-06	Alternate Energy Technologies	AE-40	7.4	79.6	303	80			6.4
DX-80-80	2006007D	22-AUG-06	Alternate Energy Technologies	MSC-40	7.8	84.3	303	80			6.4
DX-120-64	2006007E	22-AUG-06	Alternate Energy Technologies	AE-32	5.9	63.8	454	120			2.8
DX-120-64	2006007E	22-AUG-06	Alternate Energy Technologies	MSC-32	6.1	65.3	454	120			2.8
DX-120-80	2006007F	22-AUG-06	Alternate Energy Technologies	AE-40	7.4	79.6	454	120			4.5
DX-120-80	2006007F	22-AUG-06	Alternate Energy Technologies	MSC-40	7.8	84.3	454	120			4.5
DX-80-42	2006007H	06-MAY-10	Alternate Energy Technologies	AE-21	3.9	41.6	303	80			1.9
DX-80-42	2006007H	06-MAY-10	Alternate Energy Technologies	MSC-21	4	43	303	80			1.9
DX-80-48	2006007I	06-MAY-10	Alternate Energy Technologies	AE-24	4.4	47.6	303	80			1.9
DX-80-48	2006007I	06-MAY-10	Alternate Energy Technologies	MSC-24	4.6	49	303	80			1.9



OG-300 System Reference:2006007B SVG Diagram Display