

IMPORTANT: Please take the time to read through the ENTIRE instructions prior to starting any work.

Precautions

1. Ensure normal safety precautions are taken when using tools, ladder and walking on roofs.
2. Do not cut any structural members in the house.
3. Install only in dry weather.

Tools Required

- Power Drill
- Phillips Screwdriver
- Caulking Gun
- Ladder
- Electrical Tape
- 1/4" Masonry Bit (for tile roofs)

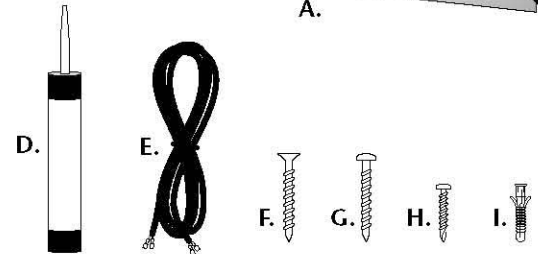
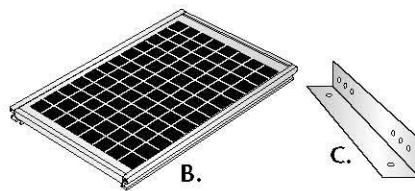
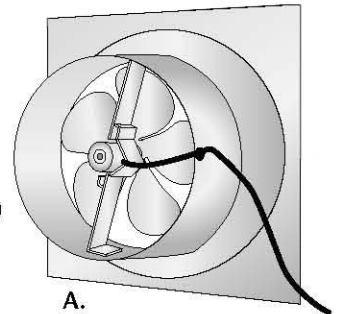
Installation Pointers

When determining location of the solar panel, consider potential problems such as objects shading the unit during certain times of the day (southern exposure is recommended). To ensure proper ventilation, install the Gable Solar Fan so that it covers the entire gable opening.

Gable Fan Installation Kit:

- A. Gable Fan
- B. Solar Panel
- C. (2) L-Brackets
- D. Caulk
- E. Power Cable Adapter
- F. (14) Wood Screws (around shroud)
- G. (4) Machine Screws (shingle roofs)
- H. (4) Self-Tapping Screws (L-bracket to panel)
- I. (4) Anchors (tile roofs)

NOTE: Use I & G screws for tile installs



Step 1 Choose location to install the gable fan. The fan must be installed between studs in the gable area. For proper ventilation, the fan unit must cover the entire gable opening. If the gable opening is larger than the fan unit shroud, the excess opening must be blocked. **DO NOT CUT ANY WOOD FRAMING.** From inside the attic, position the gable fan (with the motor facing the attic) to the desired location and secure the shroud with the provided wood screws (see Figure 1).

Step 2 Locate area to install the solar panel on the roof where it will gather the most amount of sunlight (southern exposure is recommended). Attach the L-brackets to the long sides of the solar panel with the self-tapping (H) screws into the pre-drilled holes on the panel frame. Attach solar panel to roof using the provided wood screws (see Figure 2). Caulk around the wood screws to prevent leaks. **FOR TILE ROOFS:** Pre-drill hole in tile to accommodate the anchors provided (I). Tap anchors into holes and secure L-bracket using provided screws (see inset).

Step 3 Use one of the following two options for routing the power cable from the fan to the solar panel:

OPTION 1: Route the power cable from the fan unit through the gable vent and along the outside of the house up to the roof.

OPTION 2: Drill a small hole next to the solar panel on the roof. Route the power cable from the fan unit through the attic and up through the hole. Caulk around hole to prevent leaking.

Step 4 Connect the power cable from the fan unit to the power cable from the solar panel. Connect the black wire to the black wire and the red wire to the red wire (see Figure 3). If the power cables do not reach, use the provided adapter cable. If wire connections are located outside of the attic space, wrap the connections with electrical tape to prevent water infiltration. Secure any loose wires using wire staples (not provided).

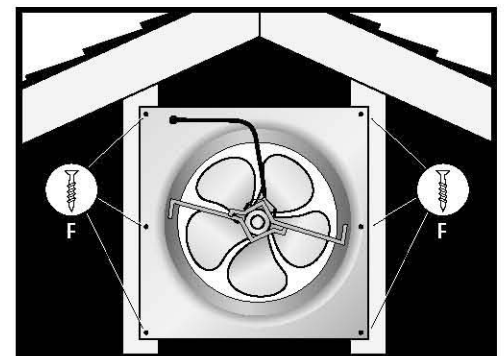


Figure 1 (view from inside attic)

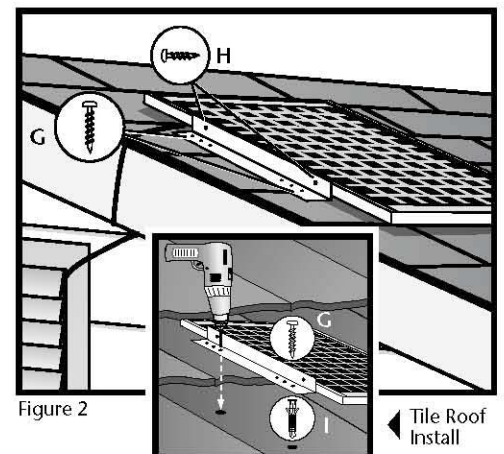


Figure 2

Tile Roof Install

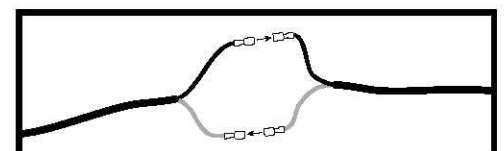


Figure 3